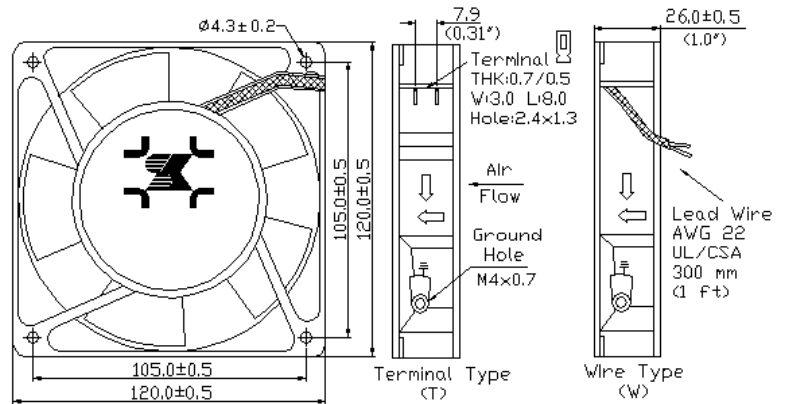
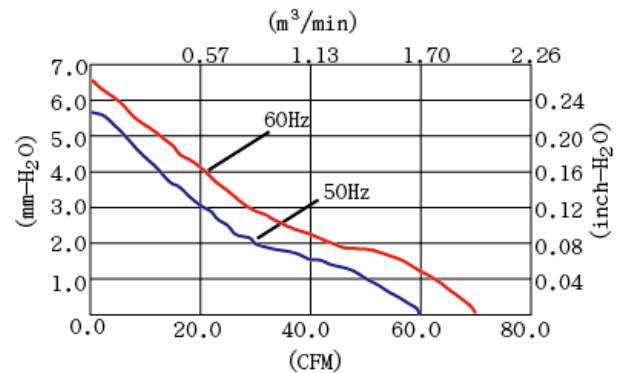


AC FAN SK125AP 120 X 120 X 25.5mm(4.5")70~48 CFM



- Motor** Shaded pole, impedance protected
- Housing / Frame** Die-cast aluminum, Painted black (AP) or Plated (AN)
- Impeller** Glass reinforced thermoplastic, UL 94V-0
- Bearing Type** Two-ball or sleeve available
- Connecting** T-Terminal push-on type or W-Lead wire type
- Dielectric Strength** 1 min. at 1,500VAC, 50/60Hz
- Operating Temp** Ball bearing -20°C~+70°C
Sleeve bearing -10°C~+55°C
- Life Expectancy** Ball bearing 60,000 hours at 60°C
Sleeve bearing 20,000 hours at 45°C
- Net Weight** 390gm (0.86 pound)
- Safety Approvals** UL, CUL, TUV, CE, RoHS

SK125 P-Q Curves



Model No.	Rated VAC	Freq. Hz	Rated Input Amp	Rated Input Watt	Rated Speed RPM	Max. Air Flow		Max. Static Pressure		Noise Level (dB)
						m ³ /min	CFM	mm-H ₂ O	inch-H ₂ O	
SK125AP-11-1	115 (100V~120V)	50/60	0.25/0.20	17/15	2550/3000	1.7/2.0	60/70	5.7/6.6	0.22/0.26	43/48
SK125AP-11-2	115 (100V~120V)	50/60	0.09/0.08	12/10	2400/2600	1.6/1.8	57/62	4.6/3.8	0.18/0.15	42/39
SK125AP-11-3	115 (100V~120V)	50/60	0.06/0.05	8/6	2100/1900	1.4/1.4	50/48	2.8/1.8	0.11/0.07	39/35
SK125AP-22-1	230 (200V~230V)	50/60	0.09/0.07	17/15	2550/3000	1.7/2.0	60/70	5.7/6.6	0.22/0.26	44/48
SK125AP-22-2	230 (200V~230V)	50/60	0.06/0.05	12/10	2400/2600	1.6/1.8	57/62	4.6/3.8	0.18/0.15	42/45
SK125AP-22-3	230 (200V~230V)	50/60	0.05/0.04	8/6	2000/1750	1.4/1.4	50/48	2.8/1.8	0.11/0.07	36/31