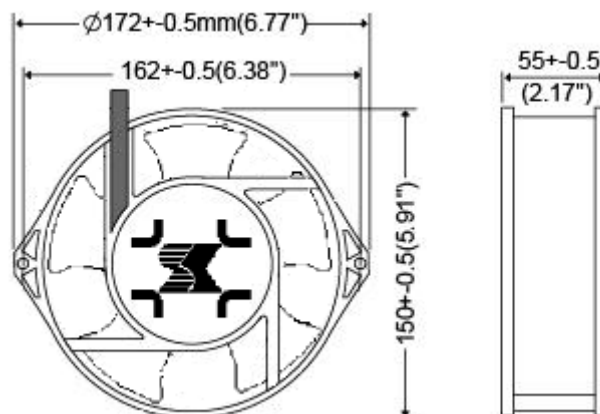
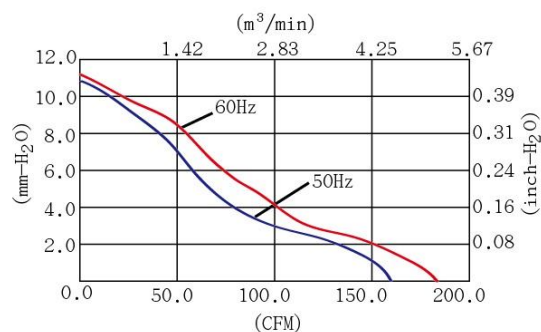


AC FAN SK165AP $\emptyset 172 \times 150 \times 55 \text{mm} (6") 166 \sim 180 \text{ CFM}$



- Motor** Shaded pole, impedance protected or thermally protected
- Housing / Frame** Die-cast aluminum, Painted black (AP) or Plated (AN)
- Impeller** Glass reinforced thermoplastic, UL 94V-0
- Bearing Type** Two-ball bearing
- Connecting** W-Lead wire type
- Dielectric Strength** 1 min. at 1,500VAC, 50/60Hz
- Operating Temp** Ambient $-20^{\circ}\text{C} \sim +55^{\circ}\text{C}$
- Life Expectancy** 50,000 hours at 25°C
30,000 hours at 65°C
- Net Weight** 904gm (1.99 pounds)
- Safety Approvals** UL, CUL, TUV, CE, RoHS

SK165 P-Q Curves



Model No.	Rated VAC	Freq. Hz	Rated Input Amp	Rated Input Watt	Rated Speed RPM	Max. Air Flow		Max. Static Pressure		Noise Level (dB)
						m ³ /min	CFM	mm-H ₂ O	inch-H ₂ O	
SK165AP-11-1	115 (100V~120V)	50/60	0.55/0.47	48.3/39.0	2600/2850	4.7/5.1	166/180	10.8/11	0.42/0.43	50/53
SK165AP-22-1	230 (200V~230V)	50/60	0.28/0.23	50.2/40.8	2600/2850	4.7/5.1	166/180	10.8/11	0.42/0.43	50/55