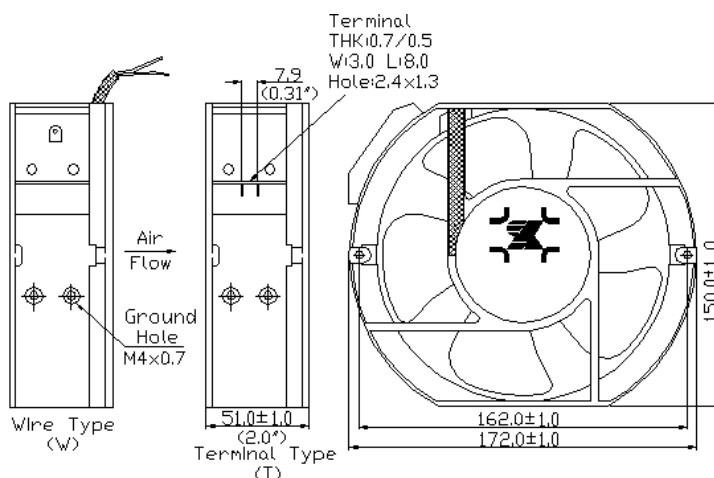
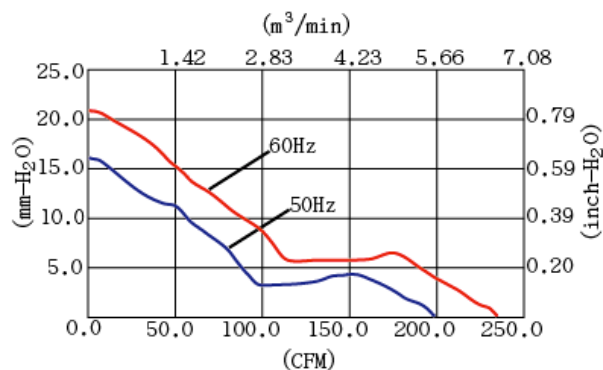


AC FAN SK172AP $\varnothing 172 \times 150 \times 51 \text{mm} (6") 235 \sim 96 \text{ CFM}$



- Motor** Single phase induction capacitor motor, thermally protected or impedance protected
- Housing / Frame** Die-cast aluminum, Painted black (AP) or Plated (AN)
- Impeller** Glass reinforced thermoplastic, UL 94V-0
- Bearing Type** Two-ball bearing
- Connecting** T-Terminal push-on type or W-Lead wire type
- Dielectric Strength** 1 min. at 1,500VAC, 50/60Hz
- Operating Temp** Ambient $-20^{\circ}\text{C} \sim +80^{\circ}\text{C}$
- Life Expectancy** 60,000 hours at 25°C
40,000 hours at 65°C
- Net Weight** 1,050gm (2.31 pounds)
- Safety Approvals** UL, CUL, TUV, CE, RoHS

SK172 P-Q Curves



Model No.	Rated VAC	Freq. Hz	Rated Input Amp	Rated Input Watt	Rated Speed RPM	Max. Air Flow		Max. Static Pressure		Noise Level (dB)
						m ³ /min	CFM	mm-H ₂ O	inch-H ₂ O	
SK172AP-11-1	115 (100V~120V)	50/60	0.24/0.25	24/28	2800/3200	5.6/6.7	199/235	16/21	0.63/0.83	57/61
SK172AP-11-2	115 (100V~120V)	50/60	0.17/0.21	20/23	2550/2400	4.9/4.7	172/165	11/8.8	0.43/0.35	53/51
SK172AP-11-3	115 (100V~120V)	50/60	0.16/0.20	16/18	1450/1750	2.7/3.2	96/114	3.8/5.6	0.15/0.22	36/41
SK172AP-22-1	230 (200V~240V)	50/60	0.12/0.16	24/28	2800/3200	5.6/6.7	199/ 235	16/21	0.63/0.83	56/60
SK172AP-22-2	230 (200V~240V)	50/60	0.10/0.12	20/23	2550/2300	4.9/4.7	172/165	11/8.8	0.43/0.35	53/50
SK172AP-22-3	230 (200V~240V)	50/60	0.09/0.016	16/18	1450/1750	2.7/3.2	96/114	3.8/5.6	0.15/0.22	36/42