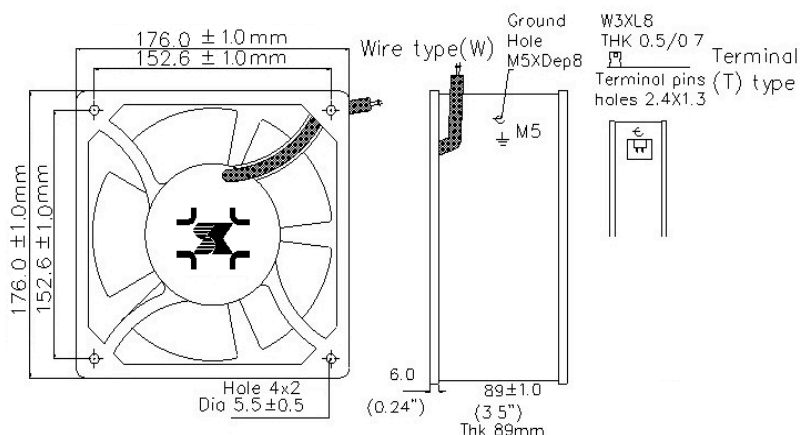
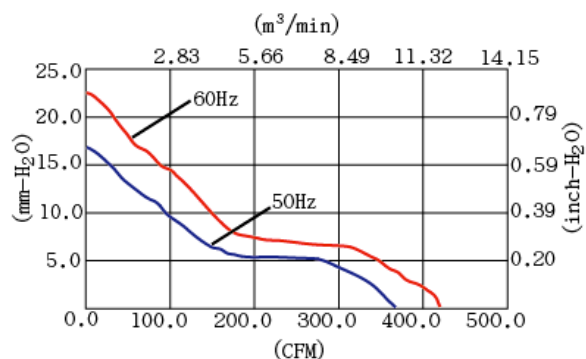


AC FAN SK176AP 176 X 176 X 89mm(7")420~370CFM



- Motor** Single phase induction capacitor motor, thermally protected
- Housing / Frame** Die-cast aluminum, Painted black (AP) or Plated (AN)
- Impeller** Glass reinforced thermoplastic, UL 94V-0
- Bearing Type** Two-ball bearing
- Connecting** T-Terminal push-on type or W-Lead wire type
- Dielectric Strength** 1 min. at 1,500VAC, 50/60Hz
- Operating Temp** Recommended ambient range -20°C ~ +70°C
- Life Expectancy** 60,000 hours at 25°C
40,000 hours at 65°C
- Net Weight** 2 kg (4.4 pounds)
- Safety Approvals** UL, CUL, TUV, CE, RoHS

SK176 P-Q Curves



Model No.	Rated VAC	Freq. Hz	Rated Input Amp	Rated Input Watt	Rated Speed RPM	Max. Air Flow		Max. Static Pressure		Noise Level (dB)
						m ³ /min	CFM	mm-H ₂ O	inch-H ₂ O	
SK176AP-11-1	115 (100V~120V)	50/60	0.57/0.48	50/52	2800/3250	10.5/11.9	370/420	16.9/22.4	0.67/0.88	61/64
SK176AP-22-1	230 (200V~240V)	50/60	0.21/0.23	43/52	2800/3250	10.5/11.9	370/420	16.9/22.4	0.67/0.88	61/64