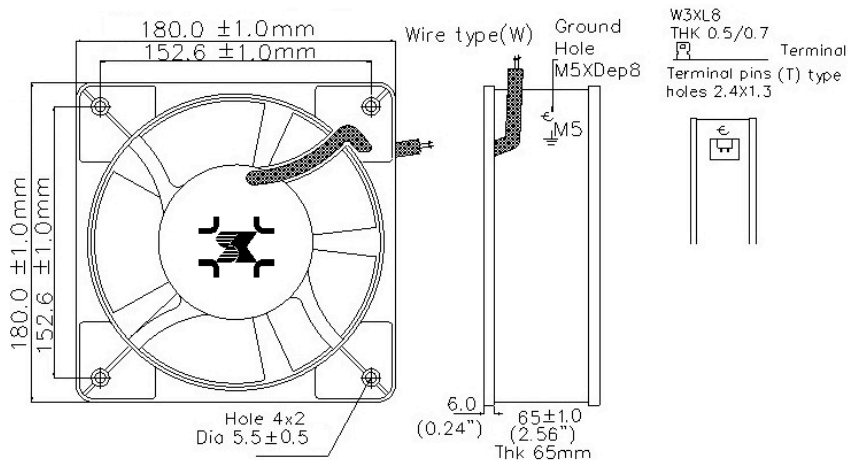


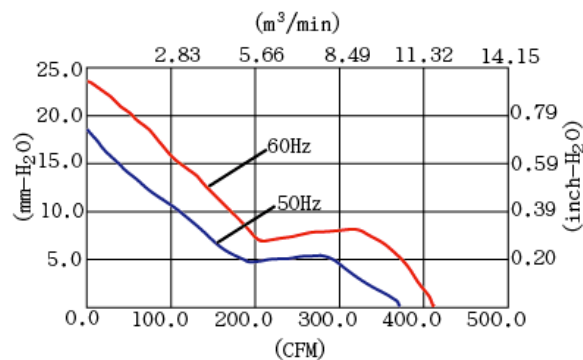
# AC FAN SK180AP

180 X 180 X 65mm(7")420~370 CFM



- Motor** Single phase induction capacitor motor, thermally protected
- Housing / Frame** Die-cast aluminum, Painted black (AP) or Plated (AN)
- Impeller** Glass reinforced thermoplastic, UL 94V-0
- Bearing Type** Two-ball bearing
- Connecting** T-Terminal push-on type or W-Lead wire type
- Dielectric Strength** 1 min. at 1,500VAC, 50/60Hz
- Operating Temp** Recommended ambient range -20°C ~ +70°C
- Life Expectancy** 60,000 hours at 25°C  
40,000 hours at 65°C
- Net Weight** 1.8 kg (3.97 pounds)
- Safety Approvals** UL, CUL, TUV, CE, RoHS

SK180 P-Q Curves



Model No.	Rated VAC	Freq. Hz	Rated Input Amp	Rated Input Watt	Rated Speed RPM	Max. Air Flow		Max. Static Pressure		Noise Level (dB)
						m <sup>3</sup> /min	CFM	mm-H <sub>2</sub> O	inch-H <sub>2</sub> O	
SK180AP-11-1	115 (100V~120V)	50/60	0.53/0.50	50/52	2800/3250	10.5/11.9	370/420	18.3/23.6	0.72/0.93	60/63
SK180AP-22-1	230 (200V~240V)	50/60	0.23/0.24	43/52	2800/3250	10.5/11.9	370/420	18.3/23.6	0.72/0.93	59/63