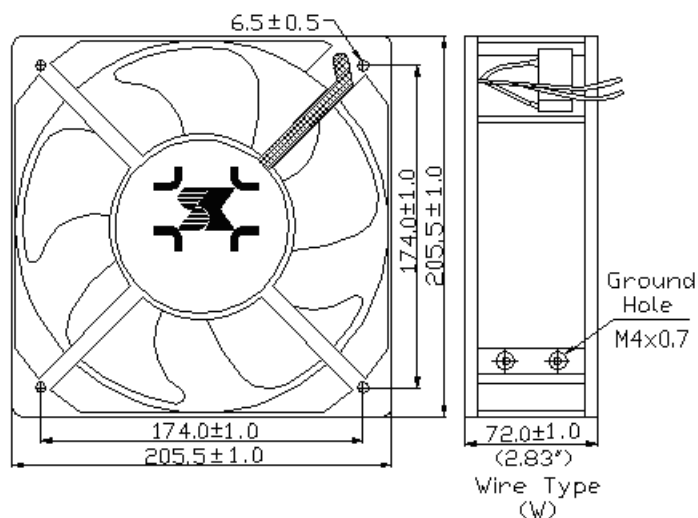
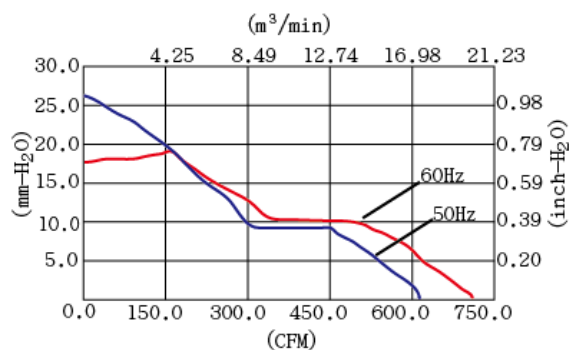


AC FAN SK205AP 205 X 205 X 72mm(8") 710~620 CFM



- Motor** Single phase induction capacitor motor, thermally protected
- Housing / Frame** Die-cast aluminum, Painted black (AP) or Plated (AN)
- Impeller** Glass reinforced thermoplastic, UL 94V-0
- Bearing Type** Two-ball bearing
- Connecting** T-Terminal push-on type or W-Lead wire type
- Dielectric Strength** 1 min. at 1,500VAC, 50/60Hz
- Operating Temp** Recommended ambient range -20°C ~ +70°C
- Life Expectancy** 60,000 hours at 25°C
40,000 hours at 65°C
- Net Weight** 2.1 kg (4.6 pounds)
- Safety Approvals** UL, CUL, TUV, CE, RoHS

SK205 P-Q Curves



Model No.	Rated VAC	Freq. Hz	Rated Input Amp	Rated Input Watt	Rated Speed RPM	Max. Air Flow		Max. Static Pressure		Noise Level (dB)
						m ³ /min	CFM	mm-H ₂ O	inch-H ₂ O	
SK205AP-11-1	115 (100V~120V)	50/60	0.60/1.00	65/102	2850/3250	17.5/20.1	620/710	26.4/17.4	1.04/0.69	67/71
SK205AP-22-1	230 (200V~240V)	50/60	0.30/0.49	65/102	2850/3250	17.5/20.1	620/710	26.4/17.4	1.04/0.69	68/71