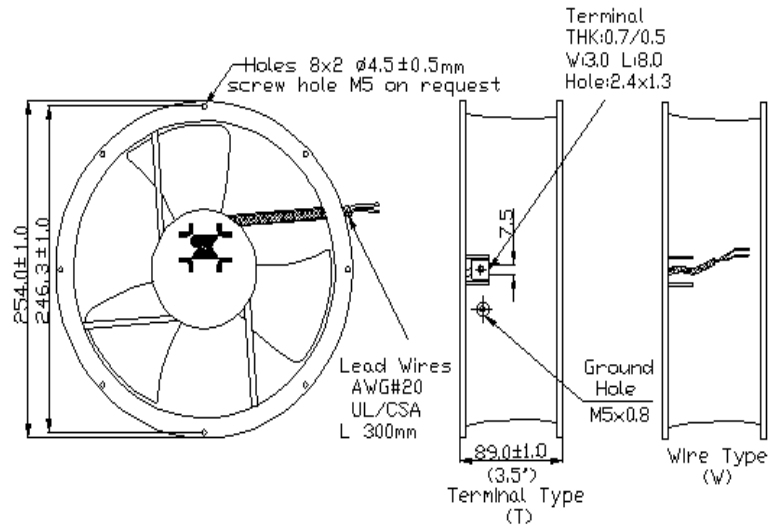
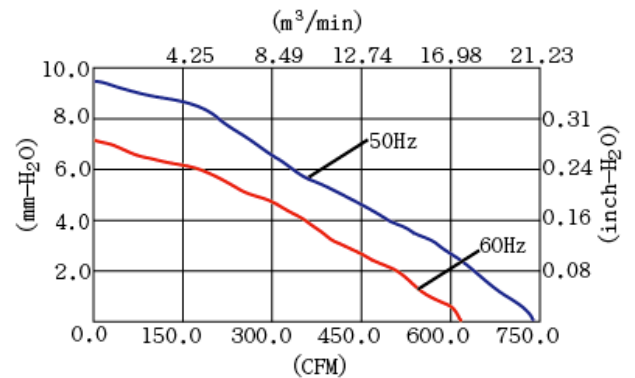


AC FAN SK254AP 254 X 89mm (10") 730~460 CFM



- Motor** Single phase induction capacitor motor, thermally protected
- Housing / Frame** Die-cast aluminum, Painted black (AP) or Plated (AN)
- Impeller** Glass reinforced thermoplastic, UL 94V-0
- Bearing Type** Two-ball
- Connecting** T-Terminal push-on type or W-Lead wire type
- Dielectric Strength** 1 min. at 1,500VAC, 50/60Hz
- Operating Temp** Recommended ambient range -20°C~+70°C
- Life Expectancy** 60,000 hours at 25°C
40,000 hours at 65°C
- Net Weight** 2 kg (4.4 pounds)
- Safety Approvals** UL, CUL, TUV, CE, RoHS

SK254 P-Q Curves



Model No.	Rated VAC	Freq. Hz	Rated Input Amp	Rated Input Watt	Rated Speed RPM	Max. Air Flow		Max. Static Pressure		Noise Level (dB)
						m³/min	CFM	mm-H ₂ O	inch-H ₂ O	
SK254AP-11-1	115 (100V~120V)	50/60	0.55/0.62	60/67	2100/1800	20.7/18.1	730/640	9.4/7.2	0.37/0.28	61/57
SK254AP-11-2	115 (100V~120V)	50/60	0.22/0.24	34/37	1400/1600	13.0/15.3	460/540	6.6/7.9	0.27/0.31	52/59
SK254AP-22-1	230 (200V~240V)	50/60	0.26/0.30	60/67	2100/1800	20.7/18.1	730/640	9.4/7.2	0.37/0.28	61/58
SK254AP-22-2	230 (200V~240V)	50/60	0.16/0.14	34/37	1400/1600	13.0/15.3	460/540	6.6/7.9	0.27/0.31	49/53