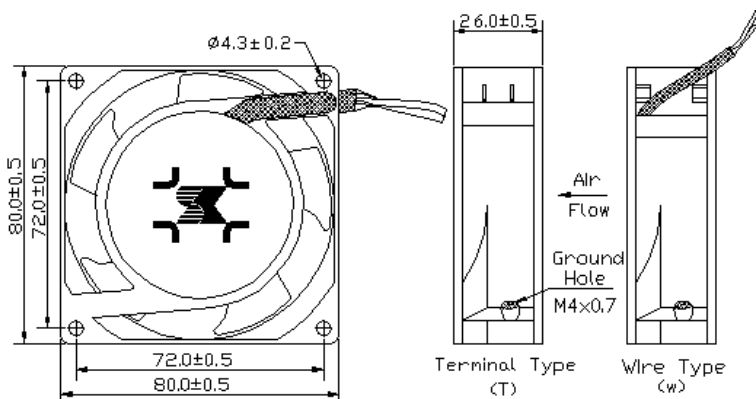
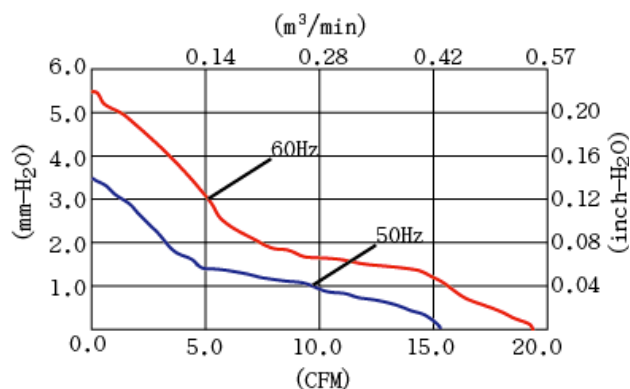


AC FAN SK825AP 80 X 80 X 25.5mm(3") 19~10 CFM



- Motor** Shaded pole, impedance protected
- Housing / Frame** Die-cast aluminum, Painted black (AP)
- Impeller** Glass reinforced thermoplastic, UL 94V-0
- Bearing Type** Two-ball or sleeve available
- Connecting** T-Terminal push-on type or W-Lead wire type
- Dielectric Strength** 1 min. at 1,500VAC, 50/60Hz
- Operating Temp** Ball bearing -20°C~+70°C;
Sleeve bearing -10°C~+55°C
- Life Expectancy** Ball bearing 60,000 hours at 60°C;
Sleeve bearing 20,000 hours at 45°C
- Net Weight** 260gm(0.57 pound)
- Safety Approvals** UL, CUL, TUV, CE, RoHS

SK825 P-Q Curves



Model No.	Rated VAC	Freq. Hz	Rated Input Amp	Rated Input Watt	Rated Speed RPM	Max. Air Flow		Max. Static Pressure		Noise Level (dB)
						m ³ /min	CFM	mm-H ₂ O	inch-H ₂ O	
SK825AP-11-1	115 (100V~120V)	50/60	0.17/0.15	15/13	2550/3200	0.42/0.54	15/19	3.5/5.5	0.14/0.22	27/34
SK825AP-11-2	115 (100V~120V)	50/60	0.09/0.08	10/9	2100/2550	0.34/0.42	12/15	2.1/2.8	0.08/0.11	27/29
SK825AP-11-3	115 (100V~120V)	50/60	0.07/0.06	7/6	1750/1850	0.28/0.34	10/12	1.5/1.6	0.06/0.06	25/30
SK825AP-22-1	230 (200V~240V)	50/60	0.08/0.07	15/13	2550/3200	0.42/0.54	15/19	3.5/5.5	0.14/0.22	27/35
SK825AP-22-2	230 (200V~240V)	50/60	0.06/0.05	10/9	2400/2950	0.40/0.51	14/18	2.9/4.3	0.11/0.17	23/24