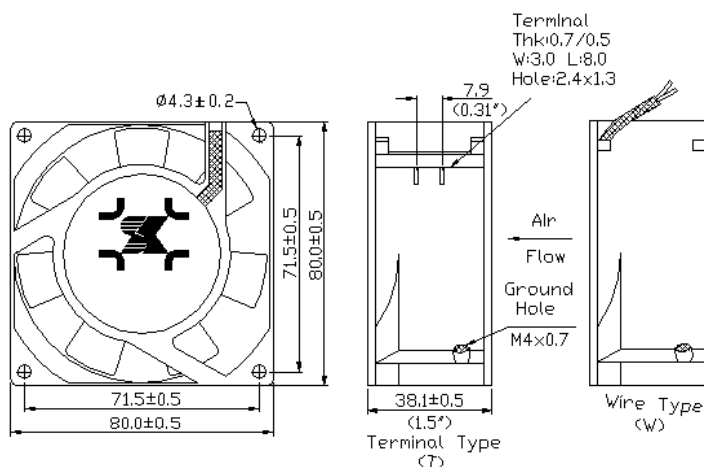
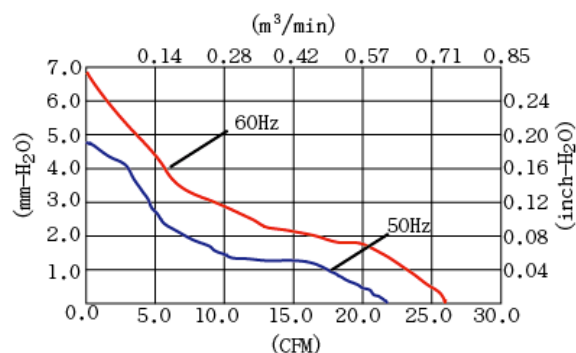


AC FAN SK838AP 80 X 80 X 38mm(3") 26~17 CFM



- Motor** Shaded pole, impedance protected
- Housing / Frame** Die-cast aluminum, Painted black (AP)
- Impeller** Glass reinforced thermoplastic, UL 94V-0
- Bearing Type** Two-ball or sleeve available
- Connecting** T-Terminal push-on type or W-Lead wire type
- Dielectric Strength** 1 min. at 1,500VAC, 50/60Hz
- Operating Temp** Ball bearing -20°C~+70°C
Sleeve bearing -10°C~+55°C
- Life Expectancy** Ball bearing 60,000 hours at 60°C
Sleeve bearing 20,000 hours at 45°C
- Net Weight** 370gm(0.82 pound)
- Safety Approvals** UL, CUL, TUV, CE, RoHS

SK838 P-Q Curves



Model No.	Rated VAC	Freq. Hz	Rated Input Amp	Rated Input Watt	Rated Speed RPM	Max. Air Flow		Max. Static Pressure		Noise Level (dB)
						m ³ /min	CFM	mm-H ₂ O	inch-H ₂ O	
SK838AP-11-1	115 (100V~120V)	50/60	0.12/0.10	14/12	2700/3250	0.62/0.74	22/26	4.8/6.8	0.19/0.27	30/35
SK838AP-11-2	115 (100V~120V)	50/60	0.07/0.06	11/9	2250/2550	0.51/0.57	18/20	3.2/3.8	0.13/0.15	26/29
SK838AP-22-1	230 (200V~240V)	50/60	0.06/0.05	14/12	2700/3250	0.62/0.74	22/26	4.8/6.8	0.19/0.27	30/37
SK838AP-22-2	230 (200V~240V)	50/60	0.05/0.04	11/9	2450/2700	0.51/0.57	18/20	3.2/3.8	0.13/0.15	26/29
SK838AP-22-3	230 (200V~240V)	50/60	0.04/0.03	7/5	2200/2200	0.48/0.51	17/18	3.0/2.5	0.12/0.10	25/26