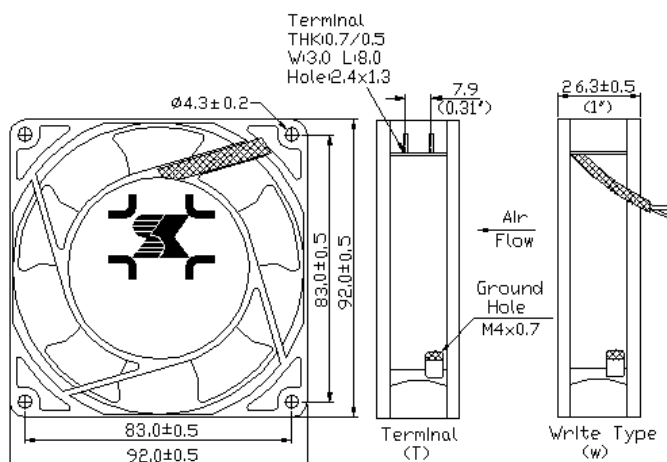
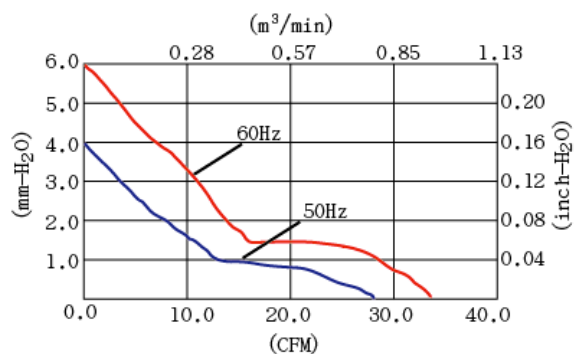


AC FAN SK92AP 92 X 92 X 25.5mm(3.5") 34~18 CFM



- Motor** Shaded pole, impedance protected
- Housing / Frame** Die-cast aluminum, Painted black (AP)
- Impeller** Glass reinforced thermoplastic, UL 94V-0
- Bearing Type** Two-ball or sleeve available
- Connecting** T-Terminal push-on type or W-Lead wire type
- Dielectric Strength** 1 min. at 1,500VAC, 50/60Hz
- Operating Temp** Ball bearing -20°C~+70°C
Sleeve bearing -10°C~+55°C
- Life Expectancy** Ball bearing 60,000 hours at 60°C
Sleeve bearing 20,000 hours at 45°C
- Net Weight** 290gm(0.64 pound)
- Safety Approvals** UL, CUL, TUV, CE, RoHS

SK92 P-Q Curves



Model No.	Rated VAC	Freq. Hz	Rated Input Amp	Rated Input Watt	Rated Speed RPM	Max. Air Flow		Max. Static Pressure		Noise Level (dB)
						m ³ /min	CFM	mm-H ₂ O	inch-H ₂ O	
SK92AP-11-1	115 (100V~120V)	50/60	0.18/0.16	15/13	2400/3000	0.79/0.96	28/34	4.0/6.0	0.16/0.24	31/39
SK92AP-11-2	115 (100V~120V)	50/60	0.09/0.08	10/9	2100/2300	0.65/0.76	23/27	2.7/3.1	0.11/0.12	28/31
SK92AP-11-3	115 (100V~120V)	50/60	0.07/0.06	7/6	1700/1750	0.51/0.54	18/19	1.4/1.5	0.05/0.06	26/27
SK92AP-22-1	230 (200V~240V)	50/60	0.08/0.07	15/13	2400/2900	0.79/0.96	28/34	4.0/6.0	0.16/0.24	31/38
SK92AP-22-2	230 (200V~240V)	50/60	0.06/0.05	10/9	2100/2350	0.65/0.76	23/27	2.7/3.1	0.11/0.12	28/32
SK92AP-22-3	230 (200V~240V)	50/60	0.05/0.04	7/6	1650/1850	0.51/0.54	18/19	1.4/1.5	0.05/0.06	21/23