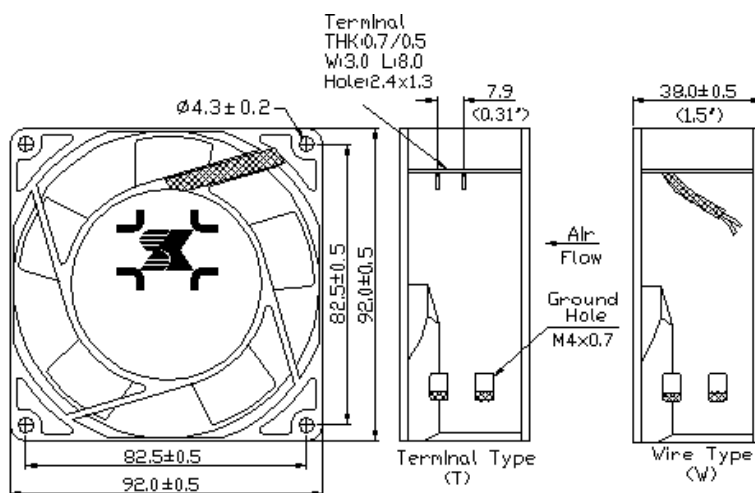
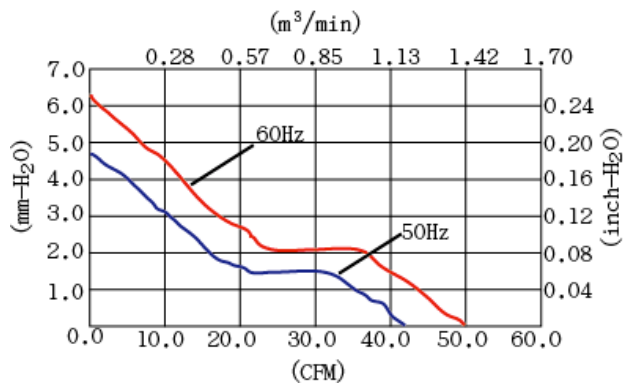


AC FAN SK938AP 92 X 92 X 38mm(3.5") 50~36 CFM



- Motor** Shaded pole, impedance protected
- Housing / Frame** Die-cast aluminum, Painted black (AP)
- Impeller** Glass reinforced thermoplastic, UL 94V-0
- Bearing Type** Two-ball or sleeve available
- Connecting** T-Terminal push-on or W-Lead wire type
- Dielectric Strength** 1 min. at 1,500VAC, 50/60Hz
- Operating Temp** Ball bearing -20°C~+70°C
Sleeve bearing -10°C~+55°C
- Life Expectancy** Ball bearing 60,000 hours at 60°C
Sleeve bearing 20,000 hours at 45°C
- Net Weight** 450gm(0.99 pound)
- Safety Approvals** UL, CUL, TUV, CE, RoHS

SK938 P-Q Curves



Model No.	Rated VAC	Freq. Hz	Rated Input Amp	Rated Input Watt	Rated Speed RPM	Max. Air Flow		Max. Static Pressure		Noise Level (dB)
						m ³ /min	CFM	mm-H ₂ O	inch-H ₂ O	
SK938AP-11-1	115 (100V~120V)	50/60	0.12/0.11	14/12	2700/3200	1.19/1.42	42/50	4.7/6.3	0.19/0.25	34/39
SK938AP-11-2	115 (100V~120V)	50/60	0.07/0.06	11/9	2400/2550	1.16/1.25	41/44	4.1/4.2	0.16/0.17	32/35
SK938AP-11-3	115 (100V~120V)	50/60	0.05/0.04	7/5	2200/1950	1.08/1.02	38/36	3.3/2.4	0.13/0.09	30/27
SK938AP-22-1	230 (200V~240V)	50/60	0.06/0.05	14/12	2600/3050	1.19/1.42	42/50	4.7/6.3	0.19/0.25	35/40
SK938AP-22-2	230 (200V~240V)	50/60	0.05/0.04	11/9	2400/2550	1.16/1.25	41/44	4.1/4.2	0.16/0.17	34/36