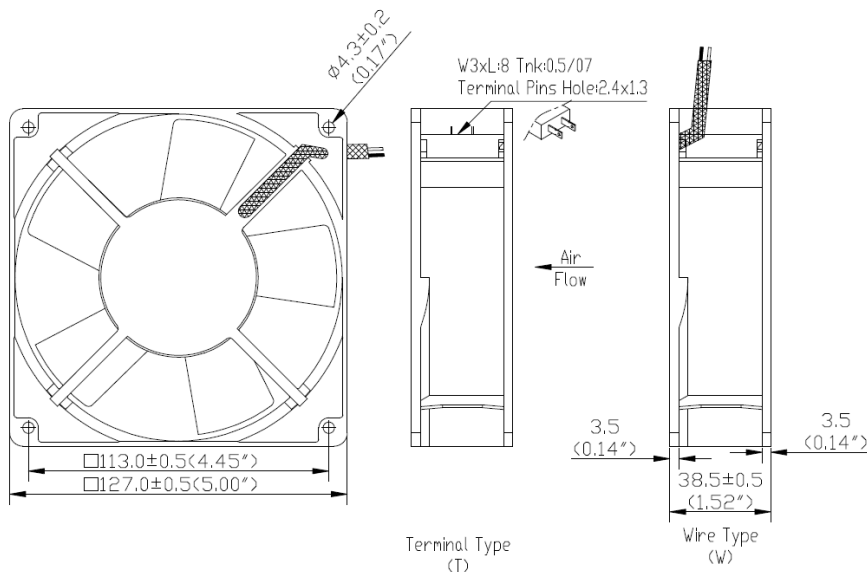
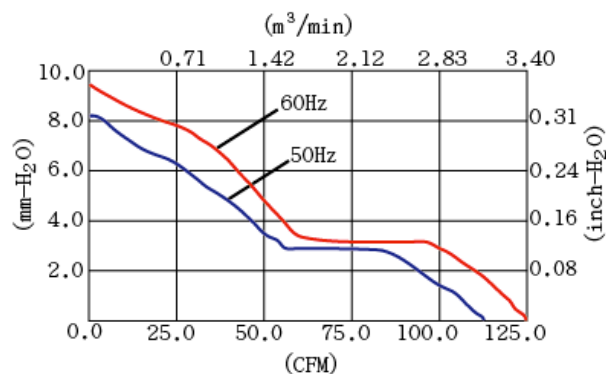


AC FAN SK127AP 127 X 127 X 38.5mm(5") 125 CFM



- 馬 達 Motor Shaded pole, impedance protected
- 外 殼 Housing / Frame Die-cast aluminum, Painted black (AP) or Plated (AN)
- 風 葉 Impeller Glass reinforced thermoplastic, UL 94V-0
- 軸 承 Bearing Type Two-ball or sleeve available
- 接電方式 Connecting T-Terminal push-on type or W-Lead wire type
- 耐 壓 Dielectric Strength 1 min. at 1,500VAC, 50/60Hz
- 溫度範圍 Operating Temp Ball bearing -20°C~+70°C
Sleeve bearing -10°C~+55°C
- 壽 命 Life Expectancy Ball bearing 60,000 hours at 60°C
Sleeve bearing 20,000 hours at 45°C
- 淨 重 Net Weight 590gm (1.3 pounds)
- 檢 定 Safety Approvals UL, CUL, TUV, CE, RoHS

SK127 P-Q Curves



型 號 Model No.	電 壓 Rated VAC	頻 率 Freq. Hz	電 流 Rated Input Amp	功 率 Rated Input Watt	轉 速 Rated Speed RPM	最大風量 Max. Air Flow		最大風壓 Max. Static Pressure		噪 音 Noise Level (dB)
						m ³ /min	CFM	mm-H ₂ O	inch-H ₂ O	
SK127AP-11-1	110 (100V~120V)	50/60	0.218/0.179	18.4/14.6	2700/3000	3.2/3.6	113/125	8.1/9.4	0.32/0.37	50/53
SK127AP-22-1	220 (200V~230V)	50/60	0.106/0.086	19.3/15.1	2700/3000	3.2/3.6	113/125	8.1/9.4	0.32/0.37	50/55