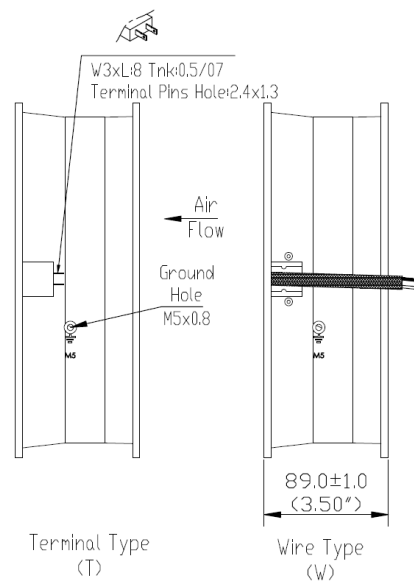
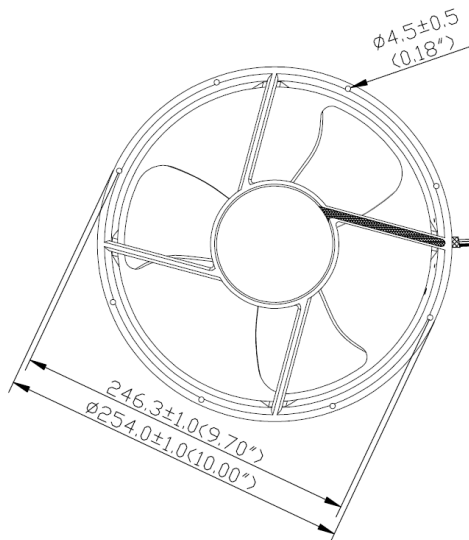
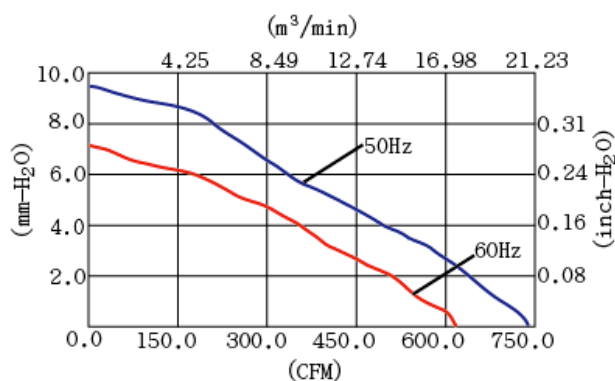


AC FAN SK254AP 254 X 89mm (10") 730~460 CFM



- 馬達 Motor: Single phase induction capacitor motor, thermally protected
- 外殼 Housing / Frame: Die-cast aluminum, Painted black (AP) or Plated (AN)
- 風葉 Impeller: Glass reinforced thermoplastic, UL 94V-0
- 軸承 Bearing Type: Two-ball
- 接電方式 Connecting: T-Terminal push-on type or W-Lead wire type
- 耐壓 Dielectric Strength: 1 min. at 1,500VAC, 50/60Hz
- 溫度範圍 Operating Temp: Recommended ambient range -20°C~+70°C
- 壽命 Life Expectancy: 60,000 hours at 25°C
40,000 hours at 65°C
- 淨重 Net Weight: 2 kg (4.4 pounds)
- 檢定 Safety Approvals: UL, CUL, TUV, CE, RoHS

SK254 P-Q Curves



型號 Model No.	電壓 Rated VAC	頻率 Freq. Hz	電流 Rated Input Amp	功率 Rated Input Watt	轉速 Rated Speed RPM	最大風量 Max. Air Flow		最大風壓 Max. Static Pressure		噪音 Noise Level (dB)
						m³/min	CFM	mm-H ₂ O	inch-H ₂ O	
SK254AP-11-1	110 (100V~120V)	50/60	0.55/0.62	60/67	2100/1800	20.7/18.1	730/640	9.4/7.2	0.37/0.28	61/57
SK254AP-11-2	110 (100V~120V)	50/60	0.22/0.24	34/37	1400/1600	13.0/15.3	460/540	6.6/7.9	0.27/0.31	52/59
SK254AP-22-1	220 (200V~240V)	50/60	0.26/0.30	60/67	2100/1800	20.7/18.1	730/640	9.4/7.2	0.37/0.28	61/58
SK254AP-22-2	220 (200V~240V)	50/60	0.16/0.14	34/37	1400/1600	13.0/15.3	460/540	6.6/7.9	0.27/0.31	49/53